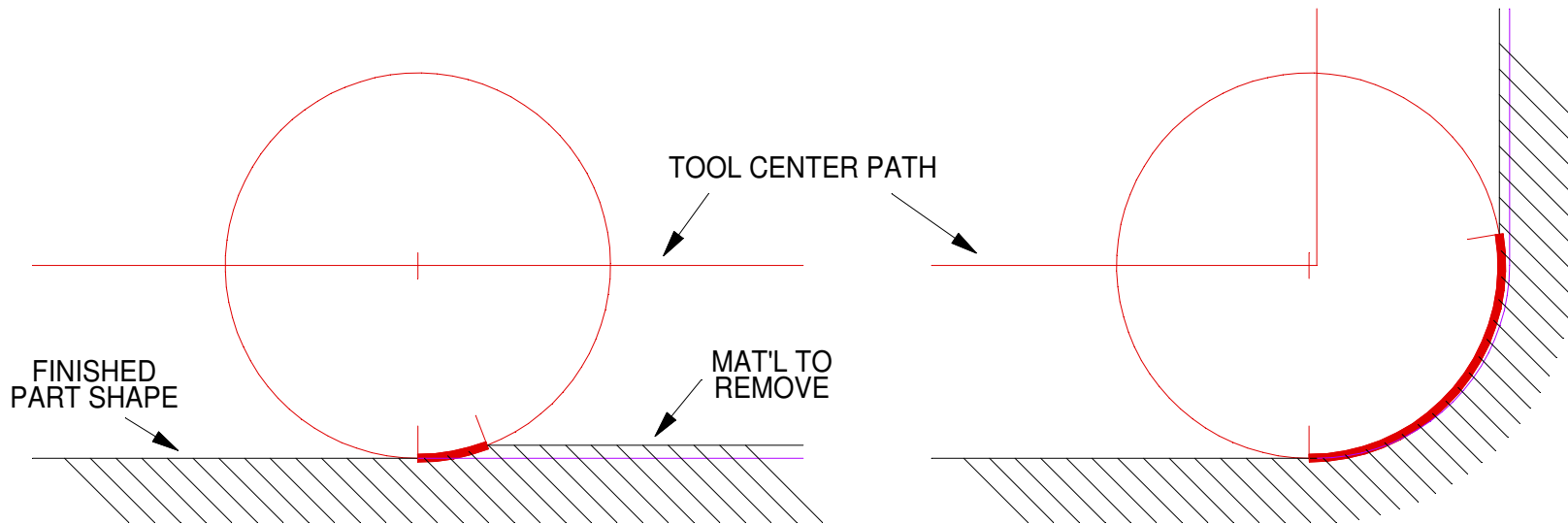


3/8" RADIUS CUT WITH 1/2" DIA TOOL



3/8" RADIUS CUT WITH 3/4" DIA TOOL